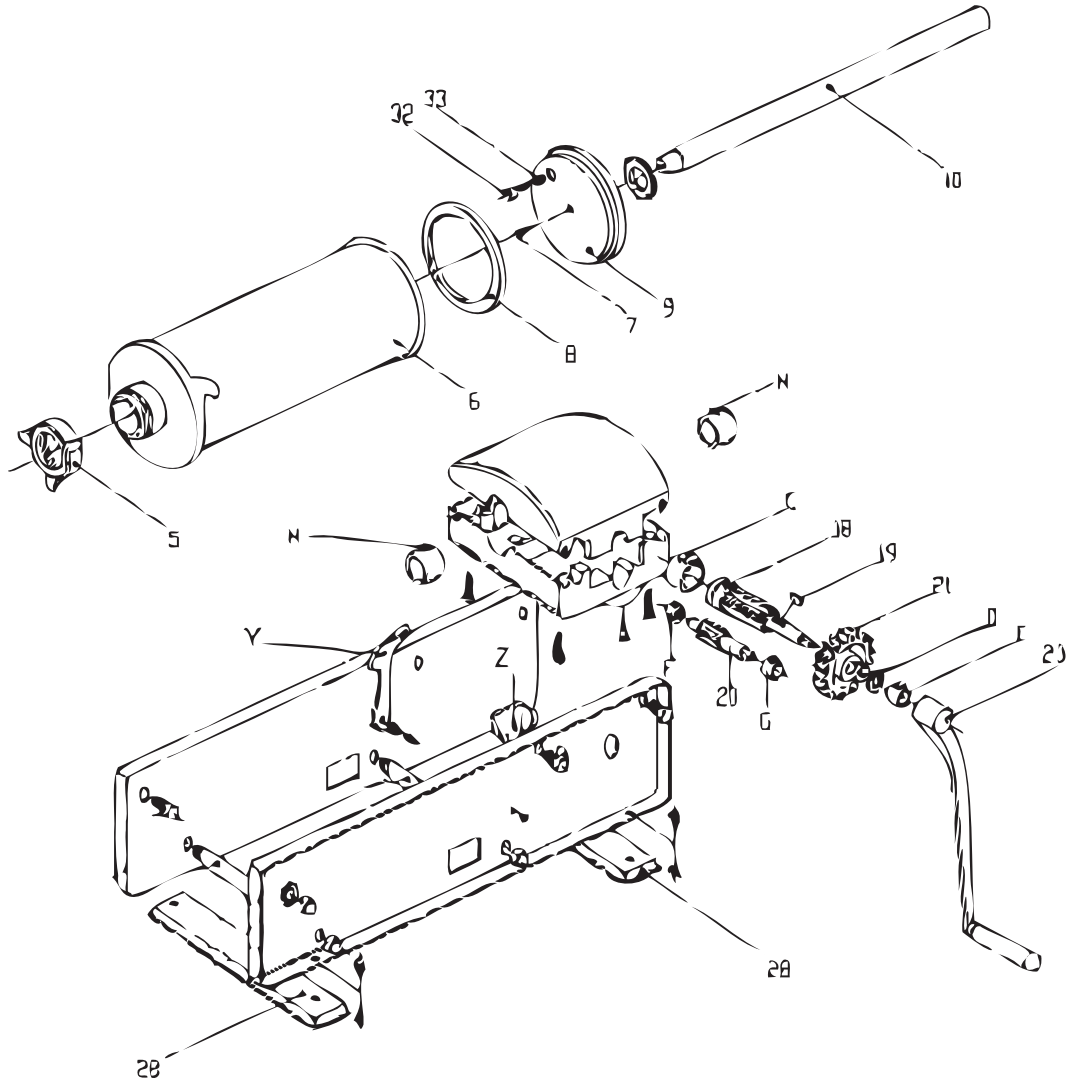


Parts Breakdown

Item 13721

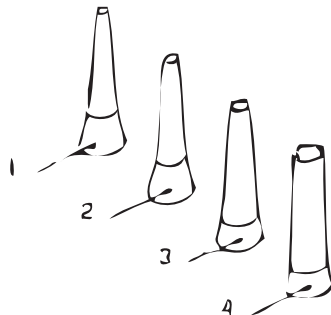


32+33= 132

8+9= 108

Y+Z= 13

C+D+E+F+G+H=44



Parts Breakdown

Item 13721

Item No.	Description	Position	Item No.	Description	Position	Item No.	Description	Position
10124	Plastic S. Spout 10mm for 13721	1	15286	Gasket Silicone for 13721	8	15283	Handle for 13721	23
10125	Plastic S. Spout 20mm for 13721	2	26082	Rack for 13721	10	27642	Foot for 13721	28
10126	Plastic S. Spout 30mm for 13721	3	66999	Cylinder Holder for 13721	13	24837	Plastic Bushing Kit for 13721	44
10127	Plastic S. Spout 40mm for 13721	4	15289	Rack Controlling Shaft for 13721	18	15284	Piston and Gasket for 13721	108
15279	Screw Ring for 13721	5	20037	Key for 13721	19	15313	Air Valve and Spring for 13721	132
21255	Cylinder for 13721	6	15288	Pinion for 13721	20	27639	Complete Gear Block for 13721	
15285	Piston Screw for 13721	7	18655	Reducer Wheel for 13721	21			